

Technical Information

No. 4351

Edition: 08/05- subject to change

Substitutes: Edition 01/04

Status: valid

Xenon Short Arc Lamp

XBO[®] 1600 W/HSC OFR

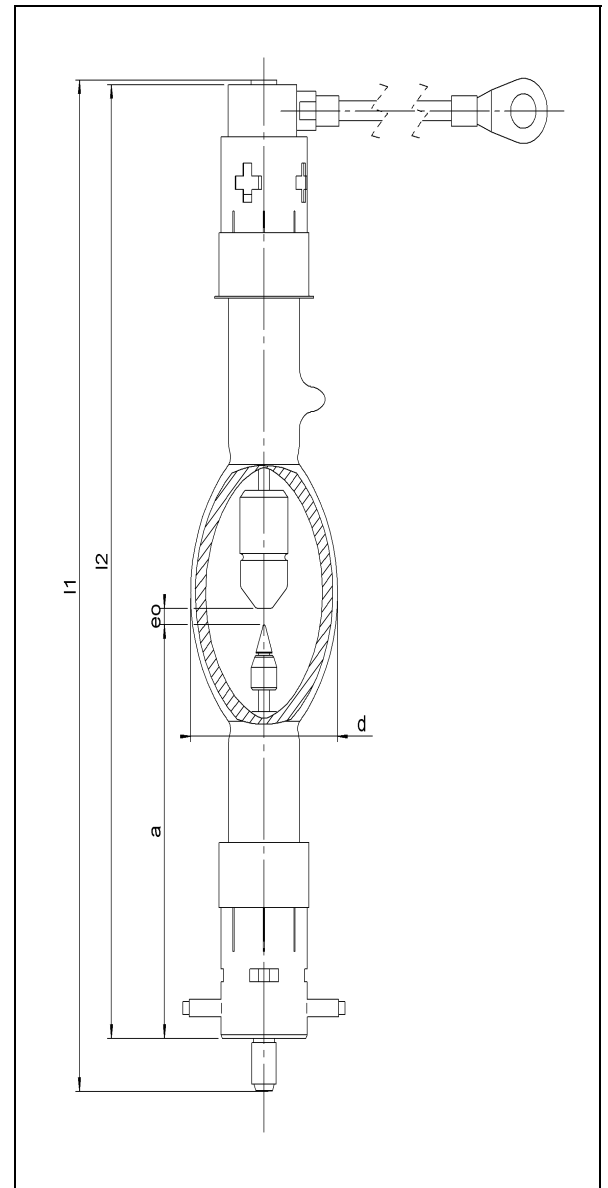
■ Product description

The OSRAM XBO[®] 1600 W/HSC OFR is a DC -operated lamp that is especially suited for applications requiring excellent arc stability and high luminance. The OSRAM XBO[®] 1600 W/HSC OFR is designed for horizontal burning position (H = horizontal, S = short, C = cable)

■ Technical data

Order reference	XBO [®] 1600 W/HSC OFR	
Rated lamp wattage	W	1550
Rated lamp voltage	V	23
Rated lamp current (=)	A	65
Current control range	A	50 - 70
Ignition voltage	kV _P	35
Min. open circuit voltage for cold / hot ignition	V	65 / 75
Luminous flux	lm	70000
Luminous intensity	cd	5500
Average luminance	cd/cm ²	70000
Luminous area w x h *)	mm	1.0 x 3.2
Electrode gap e (cold)	mm	3.8
Lamp length (overall) l ₁	mm	max. 236
Lamp length l ₂	mm	max. 222
LCL a	mm	95
Bulb diameter d	mm	46
Average service life	h	2500
Warranty	h	2000
Base	Cathode	SFcX 27-8
	Anode	SK 27/50

*) w = luminance half width value; h = height of luminous area (corresponds to electrode gap, hot)



■ Lamp operation

Maximum permissible base temperature	230 °C
Cooling	forced cooling / fan necessary
Min. air flow velocity around discharge vessel	6 m/s
Burning position	s 20 (vertical ± 20°; anode up) ; p 20 (horizontal ± 20°)